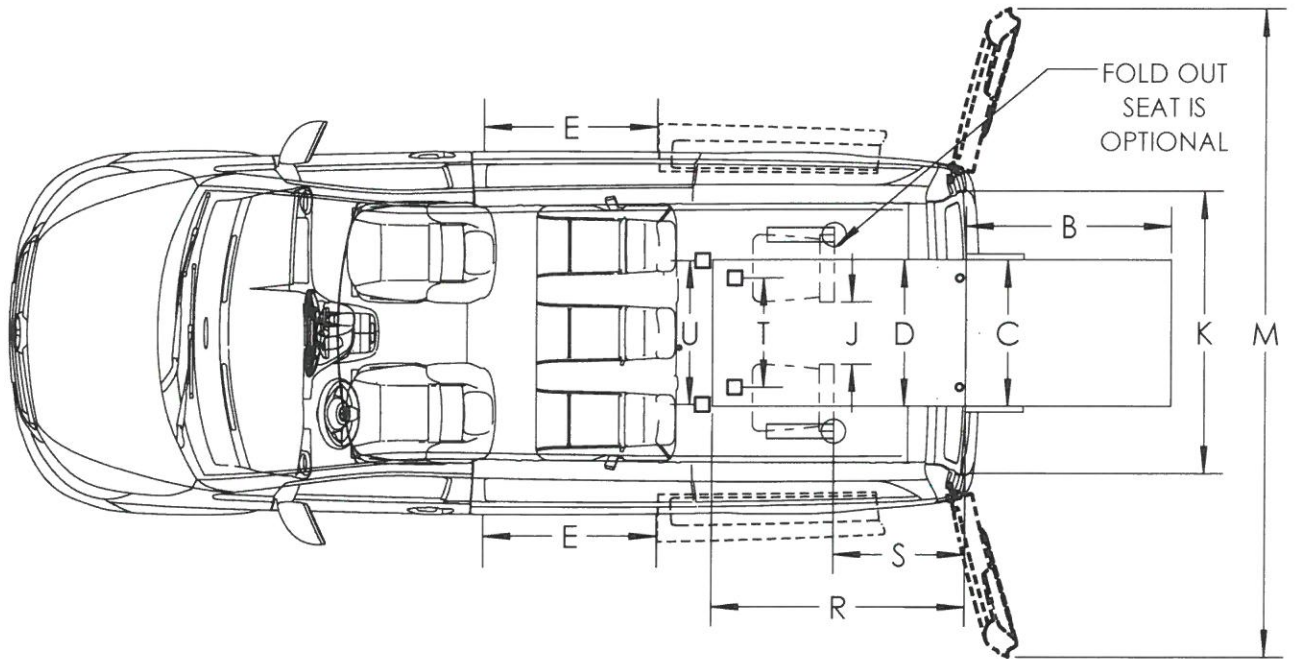
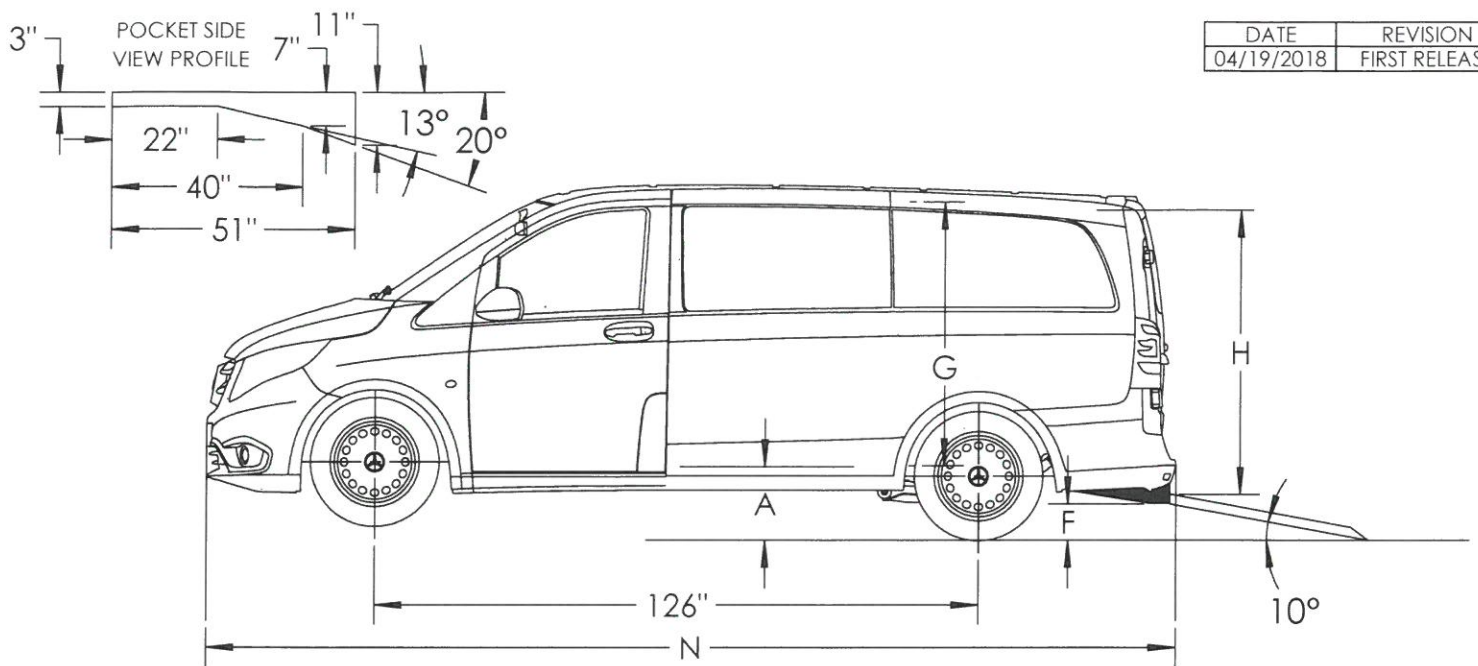


DATE	REVISION
04/19/2018	FIRST RELEASE



A	SIDE STEP HEIGHT @ GROUND	15-1/4"
B	RAMP LENGTH	43"
C	RAMP WIDTH	30-1/2"
D	LOWERED FLOOR WIDTH	32"
E	PASSENGER DOOR OPENING	35-9/16"
F	GROUND CLEARANCE	7-1/2"
G	INTERIOR HEAD CLEARANCE	55"
H	REAR ENTRANCE HEAD ROOM @ RAMP	58"
J	FOLD OUT SEAT WALKWAY	13"
K	REAR DOOR OPENING	52"
M	REAR DOOR OPEN WIDTH	137-1/2"
N	VEHICLE LENGTH	202-3/8"
R	POCKET LENGTH	51"
S	FOLD OUT SEAT DISTANCE @ REAR	27-1/2"
T	ELECTRIC RETRACTOR WIDTH	22-3/4"
U	MANUAL RETRACTOR WIDTH	30"

- ALL DIMENSIONS ARE REFERENCE ONLY AND ARE APPROXIMATE.
- DIMENSIONS MAY CHANGE WITHOUT NOTICE.
- PLEASE CONSULT TRANSIT WORKS WITH ANY QUESTIONS.

METRIS WAV 2018 PLUS



TRANSITWORKS
INNOVATIVE TRANSIT SOLUTIONS